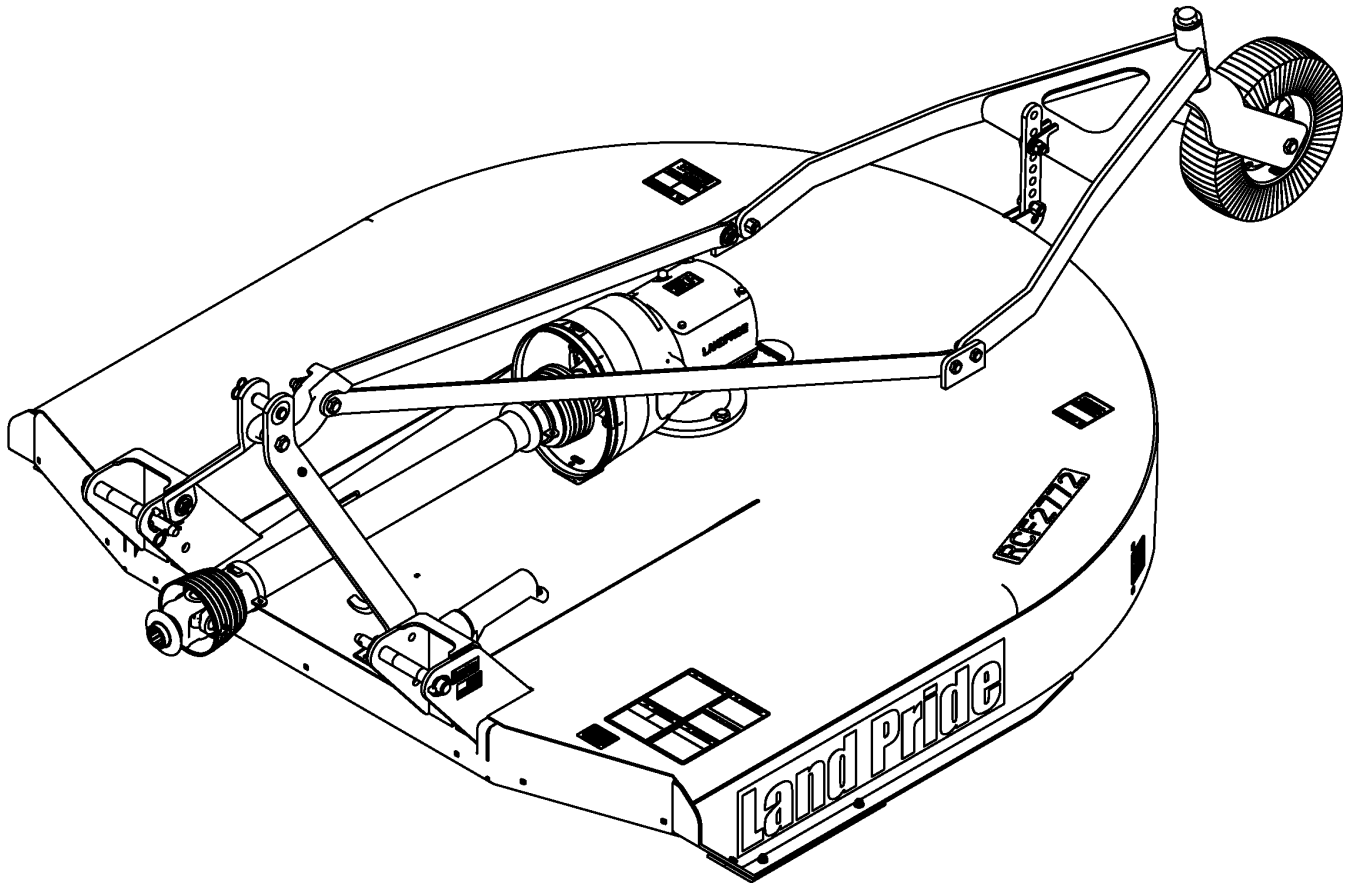


# Rotary Cutter

---

## RCF2760 & RCF2772



30685

### **326-460P** **Parts Manual**



Read the Operator's Manual entirely. When you see this symbol, the subsequent instructions and warnings are serious - follow without exception. Your life and the lives of others depend on it!

© Copyright 2015 Printed 07/17/15

Cover photo may show optional equipment not supplied with standard unit.





# Table of Contents

---

<b>Section 1: Introduction.....</b>	<b>4</b>
Using This Manual.....	4
Manual Replacement Information.....	4
Manual Revisions.....	4
Touch-up Paint.....	4
Hardware Legend.....	5
Replacement Hardware.....	5
Serial Numbers.....	5
Part Number Service Coding.....	5
<b>Section 2: Deck.....</b>	<b>6</b>
Deck Components.....	6
Gauge Wheel Mount.....	8
Hitch 3-Point S/N 961386-.....	10
Hitch 3-Point S/N 961387+.....	12
<b>Section 3: Blade Drive.....</b>	<b>14</b>
Blade Carrier.....	14
Blade Drive.....	16
Driveline W/ Slip Clutch (826-672C).....	18
Driveline W/ Slip Clutch (826-673C).....	20
Gearbox (826-376C).....	22
<b>Section 4: Guards.....</b>	<b>24</b>
Guard Chain Front.....	24
Guard Chain Rear.....	26
Guard Rubber Front.....	28
<b>Section 5: Options &amp; Accessories.....</b>	<b>30</b>
Top 3PT Cat 2 to Cat 1 Pin Kit.....	30
<b>Section 6: Labels.....</b>	<b>32</b>
Label Placement.....	32
<b>Part Number Index.....</b>	<b>34</b>

© Copyright 2015. All rights reserved.

Land Pride provides this publication “as is” without warranty of any kind, either expressed or implied. While every precaution has been taken in the preparation of this manual, Land Pride assumes no responsibility for errors or omissions. Neither is any liability assumed for damages resulting from the use of the information contained herein. Land Pride reserves the right to revise and improve its products as it sees fit. This publication describes the state of this product at the time of its publication, and may not reflect the product in the future. The illustrations in this manual are not intended for safe and proper assembly or disassembly of equipment. The illustrations are intended for ordering parts only.

Land Pride is registered trademark.

All other brands and product names are trademarks or registered trademarks of their respective holders.

*Printed in the United States of America.*



## Alphabetized Table of Contents

---

<b>B</b>	
Blade Carrier.....	14
Blade Drive.....	16
<b>D</b>	
Deck Components.....	6
Driveline W/ Slip Clutch (826-672C).....	18
Driveline W/ Slip Clutch (826-673C).....	20
<b>G</b>	
Gauge Wheel Mount.....	8
Gearbox (826-376C).....	22
Guard Chain Front.....	24
Guard Chain Rear.....	26
Guard Rubber Front.....	28
<b>H</b>	
Hitch 3-Point S/N 961386-.....	10
Hitch 3-Point S/N 961387+.....	12
<b>L</b>	
Label Placement.....	32
<b>T</b>	
Top 3PT Cat 2 to Cat 1 Pin Kit.....	30

# General Information

## Using This Manual

This manual is divided into sections. The first section contains General Information. The remaining sections divide the machine into segments (i.e. Frames, Drives, Hydraulics, etc.) which illustrate and list all parts. A Parts Number Index is located at the back of the book.

The Land Pride parts in this manual are specially designed for this machine and should be replaced with Land Pride parts only.

The information in this manual is current at time of printing. Some parts may change to assure top performance.

Right-hand and left-hand as used in this manual are determined by facing the direction the machine will travel while in use.

Below is an example of two facing pages from a parts manual. Familiarize yourself with the type of information contained on these pages.

## Manual Replacement Information

Replacement manuals are available. Refer to our website at [www.landpride.com](http://www.landpride.com) or e-mail us at [lit@landpride.com](mailto:lit@landpride.com) for additional information. Our website continues to provide the most up-to-date manuals available.

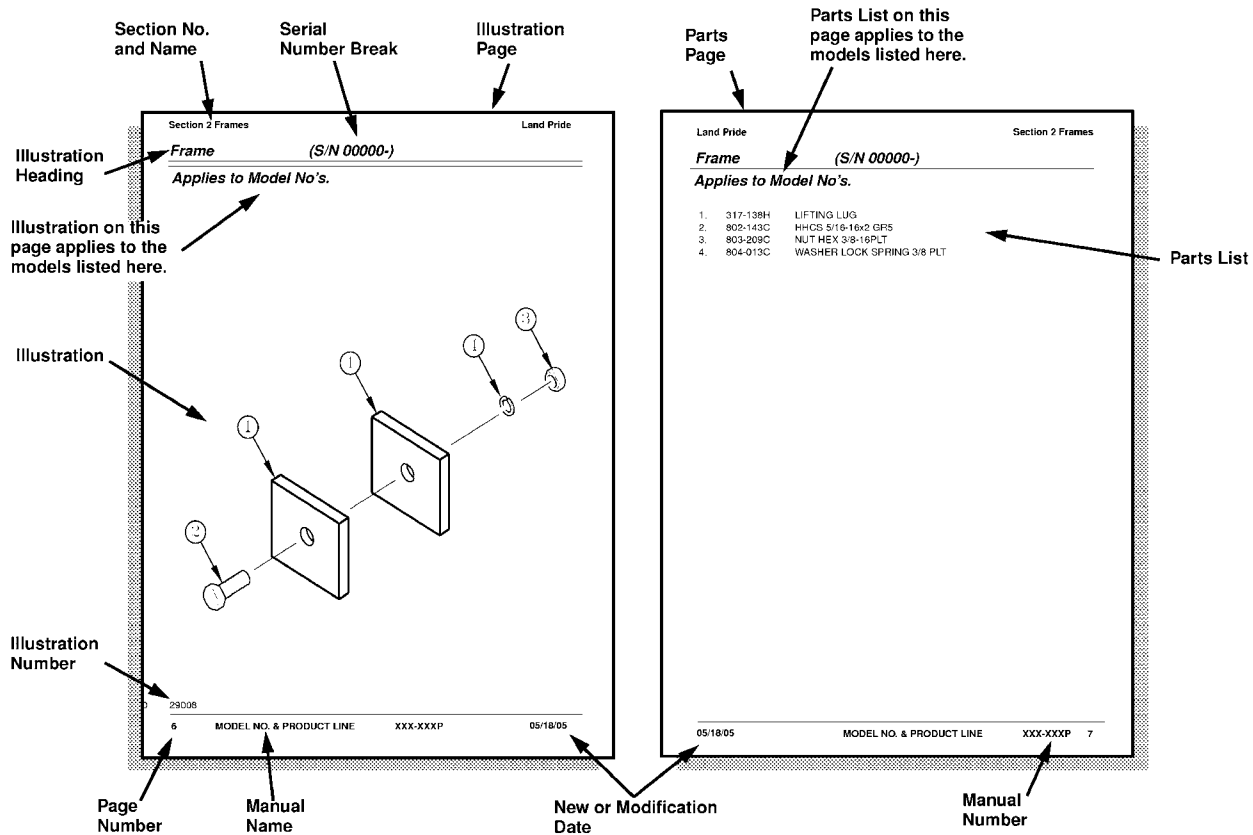
## Touch-up Paint

Repaint parts where paint is worn or scratched to prevent rust. Aerosol cans and touch-up bottles with brush applicator are available through your local dealer. Land Pride color descriptions and part numbers are listed below. Also available are quart and gallon size paints. Add QT or GL to end of the Aerosol P/N.

Color	Product*	Aerosol	Touch-Up
Gloss Black	LP	821-032C	821-032CTU
Beige	LP	821-011C	821-011CTU
Green	SLP	821-058C	821-058CTU
Orange	SLP	821-066C	821-066CTU
Red	SLP	821-054C	821-054CTU
Blue	SLP	821-067C	821-067CTU

Notes:

- \* LP = All Land Pride Products
- SLP = Select Land Pride Products that are available in optional Green, Orange and Red.



## General Information

### Hardware Legend

<b>AR</b>	As Required
<b>BLADE</b>	Blade Bolt
<b>C</b>	Cap Screw
<b>CP</b>	Cotter Pin
<b>CPHSSS</b>	Cup Point Hex Socket Set Screw
<b>CPSHSS</b>	Cup Point Square Head Set Screw
<b>CPSQHSS</b>	Cup Point Square Head Set Screw
<b>CRFCHMS3</b>	Cross Recess Flat Countersunk Head Machine Screw
<b>CRPHMS</b>	Cross Recess Pan Head Machine Screw
<b>CRPHTF</b>	Cross Recess Pan Head Thread Forming
<b>CRRHMS</b>	Cross Recess Round Head Machine Screw
<b>CRTHMS</b>	Cross Recess Truss Head Machine Screw
<b>CSNB</b>	Countersunk Square Neck Bolt
<b>FHMS</b>	Flat Head Machine Screw
<b>FTC</b>	Full Thread Cap Screw
<b>H</b>	Hex Nut
<b>HCLN</b>	Hex Center Lock Nut
<b>HFLCS</b>	Hex Flange Lock Cap Screw
<b>HFS</b>	Hex Flange Screw
<b>HFSLN</b>	Hex Flange Serrated Lock Nut
<b>HFSS</b>	Hex Flange Serrated Screw
<b>HHCS</b>	Hex Head Cap Screw or Metric Bolt
<b>HSBHCS</b>	Hex Socket Button Head Cap Screw
<b>HSFCHCS</b>	Hex Socket Flat Countersunk Head Cap Screw
<b>HSHCS</b>	Hex Socket Head Cap Screw
<b>HSSS</b>	Hex Socket Head Screw
<b>HTLN</b>	Hex Top Lock Nut
<b>HWHCS</b>	Hex Washer Head Cap Screw

<b>HWHMS</b>	Hex Washer Head Machine Screw
<b>HXBHCS</b>	Hex Socket Button Head Cap Screw
<b>J</b>	Hex Jam Nut
<b>JIC</b>	37 Degree Tapered Thread
<b>L</b>	Helical Spring Lock Washer
<b>LUG</b>	Lug Bolt
<b>NFC</b>	National Fine Cap Screw
<b>NPSM</b>	National Pipe Straight Mechanical
<b>NPTF</b>	National Pipe Taper Fuel
<b>P</b>	Wide Plain Washer
<b>PHMS</b>	Pan Head Machine Screw
<b>PLOW</b>	Plow Bolt
<b>RHMS</b>	Round Head Machine Screw
<b>RHSNB</b>	Round Head Square Neck Bolt
<b>SCREW LEVELING</b>	Leveling Screw
<b>SCREW THUMB</b>	Thumb Screw
<b>SCREW WELD</b>	Weld Screw
<b>SFCHMS</b>	Slotted Flat Countersunk Head Machine Screw
<b>SFHMS</b>	Slotted Fillister Head Machine Screw
<b>SP</b>	Special
<b>SP SCREW</b>	Special Screw
<b>SQHSS</b>	Square Head Set Screw
<b>SRHMS</b>	Slotted Round Head Machine Screw
<b>SSS</b>	Socket Set Screw
<b>STCS</b>	Self Tapping Cap Screw
<b>STHMS</b>	Slotted Truss Head Machine Screw
<b>WHEEL</b>	Wheel Studs and Hub Long Bolts
<b>WING</b>	Wing Bolt

### Replacement Hardware

The **Hardware Legend** above lists hardware abbreviations used in the parts list. All bolts and nuts are Grade 5 unless otherwise noted. The use of improper grades of hardware can result in personal injury, damage to equipment, or loss of property.

### Colored Replacement Parts

Land Pride offers replacement parts in factory standard colors and also on select models in Green, Orange, Red and Blue. Because of the variety of colors available, special attention must be given to the part number to prevent ordering the wrong replacement part.

A suffix number corresponding to one of the colors below must be added at the end of Land Pride's part number when ordering a replacement part with that color.

**81 . . . . . Green      83 . . . . . Red**  
**82 . . . . . Orange    84 . . . . . Blue**

For example, if you are ordering a replacement part with part number 555-555C and the part you need is red, then add the suffix 83 to the end of the number to make the part number read 555-555C83. Parts ordered without a suffix number will be supplied in factory standard colors.

### Black Replacement Parts

Some parts are factory standard black and some must be special ordered black. If your part is special ordered black, a second part number with the additional suffix number 85 on the end will be available. In this situation you must order that part with the suffix number for it to be black. Parts that are factory standard black will not have the suffix number.

### Part Number Service Coding

Within the parts list some part numbers are coded for revisions and interchangeability. See notations in revision column.

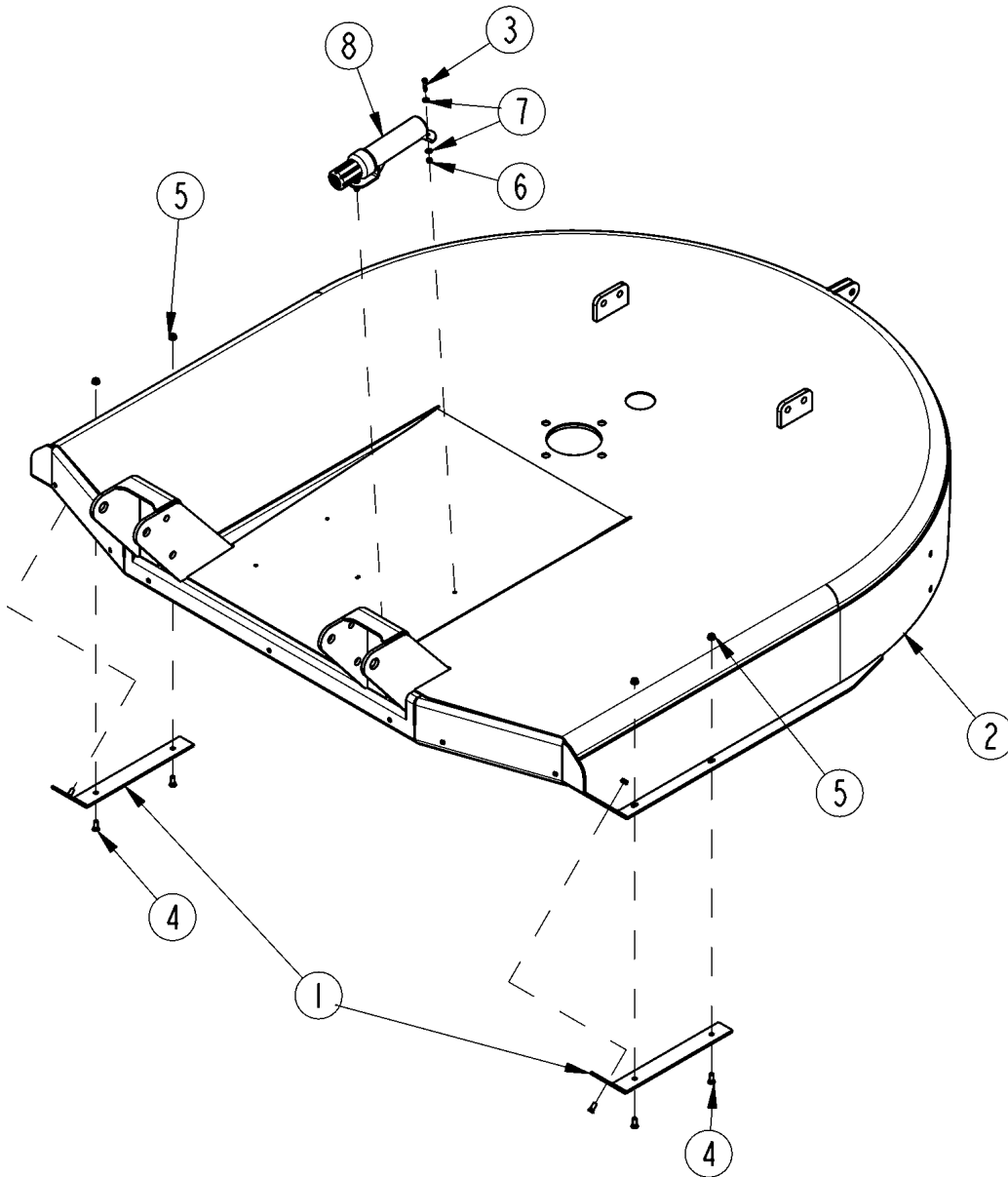
### Serial Numbers

Always use the serial and model number when ordering parts. Refer to the Operator's Manual for serial number plate location.

- (S/N 20001+)                      Includes serial numbers 20001 and above (to the latest number)
- (S/N 10001 to 20000)           Includes serial numbers between and including 10001 and 20000
- (S/N 10000-)                      Includes serial numbers 10000 and below (to the earliest number)

# Deck Components

Applies to RCF2760, RCF2772



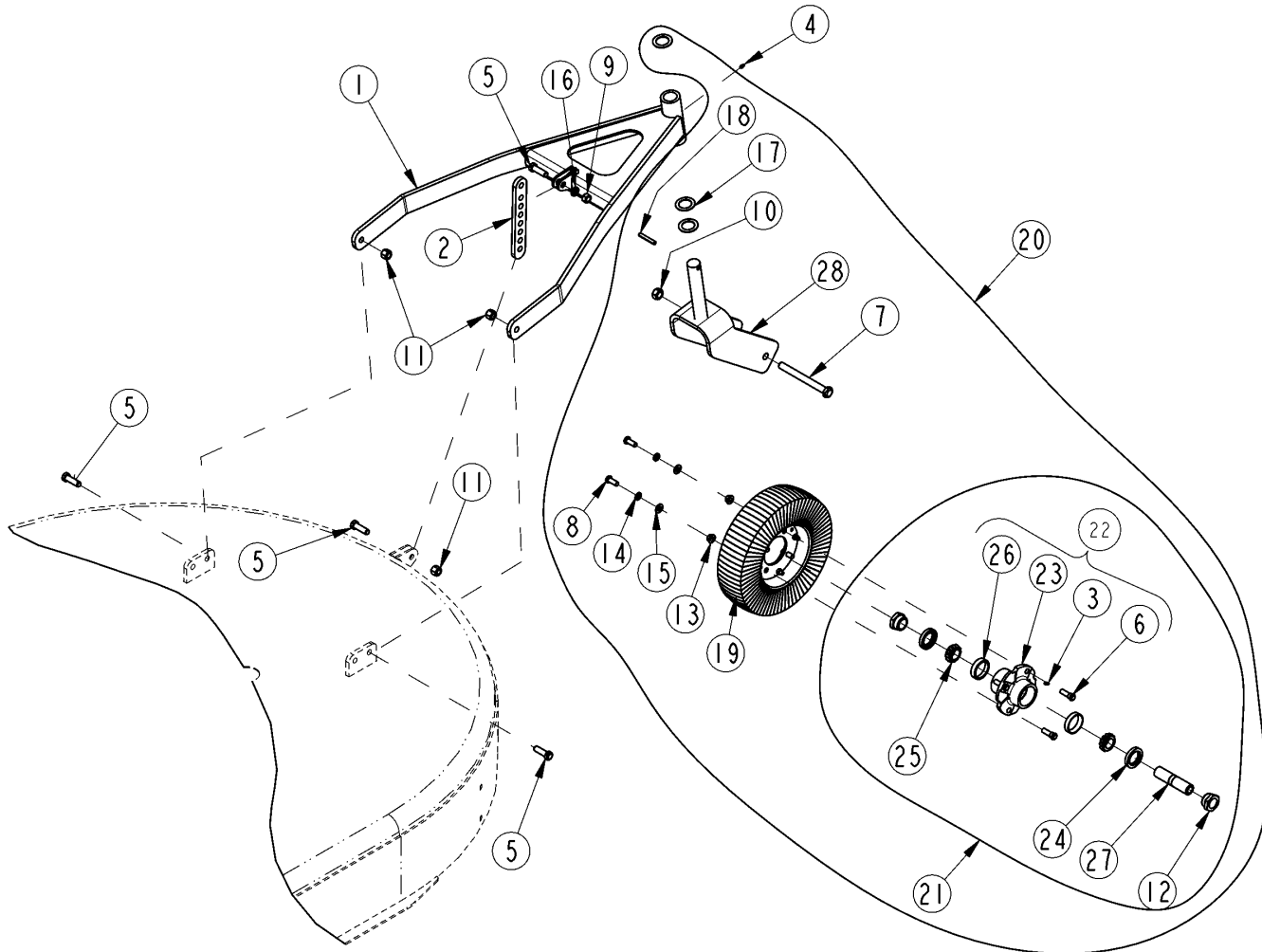
30686

***Deck Components*****Applies to RCF2760, RCF2772**

<b>Ref</b>	<b>Part No.</b>	<b>Part Description</b>	<b>Comments</b>	<b>Revision</b>
	dwg30686	Drawing Image Number		
1.	312-602D	SKID SHOE		
2.	326-237H	RCF2772 DECK WELDMEN		
2.	326-237H81	RCF2772 DECK WLDMT GREEN		
2.	326-237H82	RCF2772 DECK WLDMT ORANGE		
2.	326-237H83	RCF2772 DECK WLDMT RED		
2.	326-273H	RCF2760 DECK WLDMT		
2.	326-273H81	RCF2760 DECK WLDMT GREEN		
2.	326-273H82	RCF2760 DECK WLDMT ORANGE		
2.	326-273H83	RCF2760 DECK WLDMT RED		
3.	802-224C	HHCS 1/4-20X1 1/4 GR5		
4.	802-603C	PLOW 3/8-16X1 GR5		
5.	803-198C	NUT HEX WHIZ 3/8-16 PLT		
6.	803-255C	NUT HEX NYLOCK 1/4-20		
7.	804-007C	WASHER FLAT 1/4 SAE PLT		
8.	816-504C	MANUAL STORAGE CONTAINER		

# Gauge Wheel Mount

Applies to RCF2760, RCF2772



30693

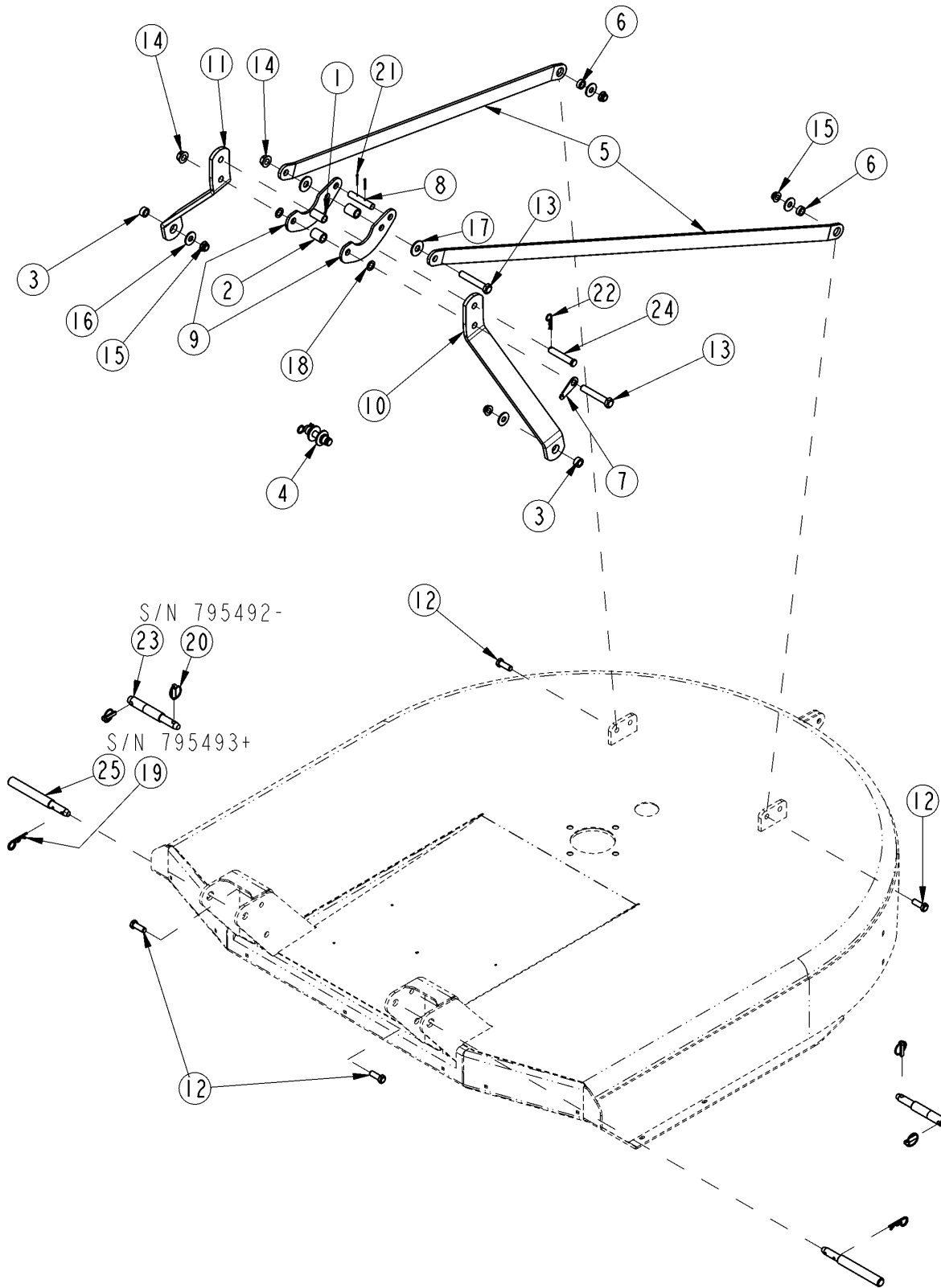


**Gauge Wheel Mount****Applies to RCF2760, RCF2772**

<b>Ref</b>	<b>Part No.</b>	<b>Part Description</b>	<b>Comments</b>	<b>Revision</b>
	dwg30693	Drawing Image Number		
1.	326-294H	TAILWHEEL 27 SERIES		
2.	326-614D	TAILWHEEL ADJUSTMENT BAR		
3.	800-001C	GREASE ZERK STRAIGHT 1/4-28		
4.	800-080C	GREASE ZERK 1/4-28 THD FORMING		
5.	802-055C	HHCS 5/8-11X2 GR5		
6.	802-135C	HUB STUD 1/2-20X1 5/8 GR5		
7.	802-280C	HHCS 3/4-10X7 1/2 GR5		
8.	802-326C	HHCS 1/2-20X1 1/4 GR5	Optional	
9.	803-021C	NUT HEX 5/8-11 PLT		
10.	803-026C	NUT LOCK 3/4-10 PLT		
11.	803-148C	NUT HEX NYLOCK 5/8-11 PLT		
12.	803-289C	NUT HEX 1 1/4-7(MACHINED)PLAIN		
13.	803-308C	NUT HEX FLG/LK 1/2-20 PLT GR G		
14.	804-015C	WASHER LOCK SPRING 1/2 PLT	Optional	
15.	804-016C	WASHER FLAT 1/2 SAE PLT	Optional	
16.	804-022C	WASHER LOCK SPRING 5/8 PLT		
17.	804-066C	WASHER MACH 2.25 X 1.50 X 14GA		
18.	805-255C	PIN ROLL 3/8 X 2 1/2 PLT		
19.	814-058C	TIRE & WHEEL LAMINATED 4.0 X 8		
20.	814-161C	LAM 4X8 TR-WL-HUB-YOKE 25 SER.		
21.	815-092C	HUB & SPINDLE ASSY 4 BOLT		
22.	815-230C	HUB 4 BLT W/CUPS, ZERK & STUDS		
23.	N/A	HUB 4BLT DUCTILE(USE 815-230C)		
24.	816-286C	OIL SEAL DBL LIP 2.441 BORE		
25.	822-091C	BRG 1.25ID CONE 15123		
26.	822-092C	BRG CUP 2.44OD 15245		
27.	827-036C	BUSHING TW 1.25ODX.78IDX5 1/4		
28.	890-961C	RC25 TAILWHEEL YOKE		

**Hitch 3-Point S/N 961386-**

Applies to RCF2760, RCF2772



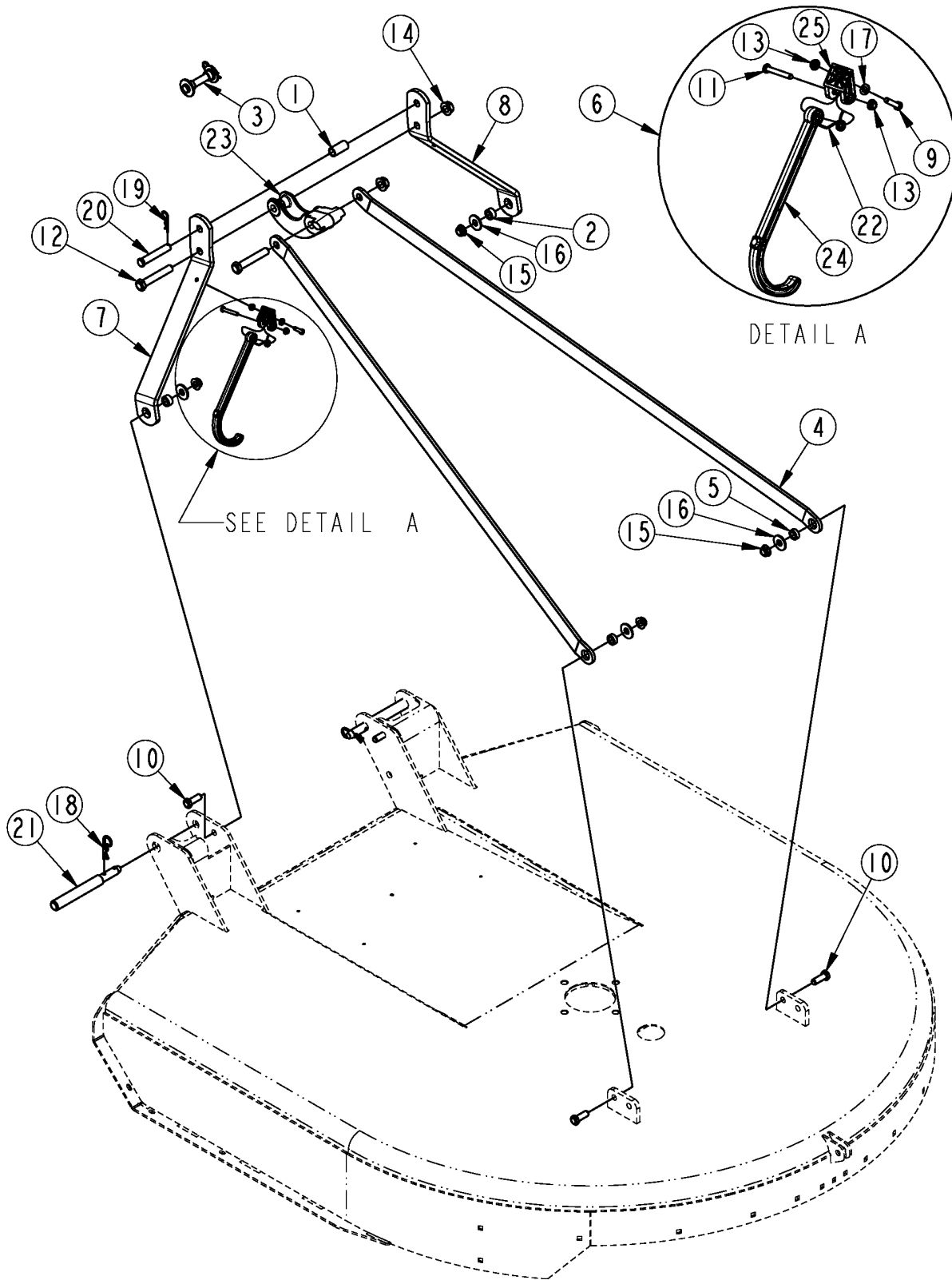
30696

**Hitch 3-Point S/N 961386-****Applies to RCF2760, RCF2772**

Ref	Part No.	Part Description	Comments	Revision
	dwg30696	Drawing Image Number		
1.	122-076D	PW PIVOT TUBE LONG		
2.	326-329D	SPACER 1 1/4ODX13/16IDX1 5/8		
3.	326-546D	BSH 1.12ODX.69IDX.55L		
4.	326-607A	TOP 3PT CAT2 TO CAT1 CONV KIT	Service Kit See Section 5	
5.	326-626D	REAR BRACE 72	RCF2772	
5.	326-659D	REAR BRACE 60	RCF2760	
6.	326-629D	BSH 1.12ODX.69IDX.41L		
7.	326-822D	DRIVELINE CHAIN CLIP 3/4"HL		
8.	326-873D	PIN, STOP 3/4"		
9.	326-874D	REAR BRACE PIVOT BAR		
10.	327-319D	HITCH STRAP LH	S/N 783270+	
10.	326-572D	HITCH STRAP LH	S/N 783269-	
11.	327-320D	HITCH STRAP RH	S/N 783270+	
11.	326-573D	HITCH STRAP RH	S/N 783269-	
12.	802-053C	HHCS 5/8-11X1 3/4 GR5		
13.	802-192C	HHCS 3/4-10X4 1/2 GR5		
14.	803-181C	NUT HEX FLANGE LOCK 3/4-10 PLT		
15.	803-263C	NUT HEX FLANGE LOCK 5/8-11 PLT		
16.	804-019C	WASHER FLAT 5/8 USS PLT		
17.	804-024C	WASHER FLAT 3/4 USS PLT		
18.	804-156C	WASHER MACH 1 1/4X3/4X14GA		
19.	805-088C	PIN, HAIR COTTER 3/16 WIRE DIA	S/N 795493+	
20.	805-103C	PIN LINCH 7/16 X 1 3/4	S/N 795492-	
21.	805-109C	PIN COTTER 1/8 X 1 1/4 PLT		
22.	805-143C	PIN HAIR COTTER .120 PLT	S/N 783270+	
22.	805-088C	PIN, HAIR COTTER 3/16 WIRE DIA	S/N 783269-	
23.	805-227C	PIN HITCH CATEGORY I-II	S/N 795492-	
24.	805-228C	PIN CLVS .75X3.94 USBL	S/N 783270+	
24.	805-124C	PIN CLEVIS 1 X 3 11/16 GR5 PLT	S/N 783269-	
25.	805-485C	PIN, HITCH 3PT CAT 1&2	S/N 795493+	

### Hitch 3-Point S/N 961387+

Applies to RCF2760, RCF2772



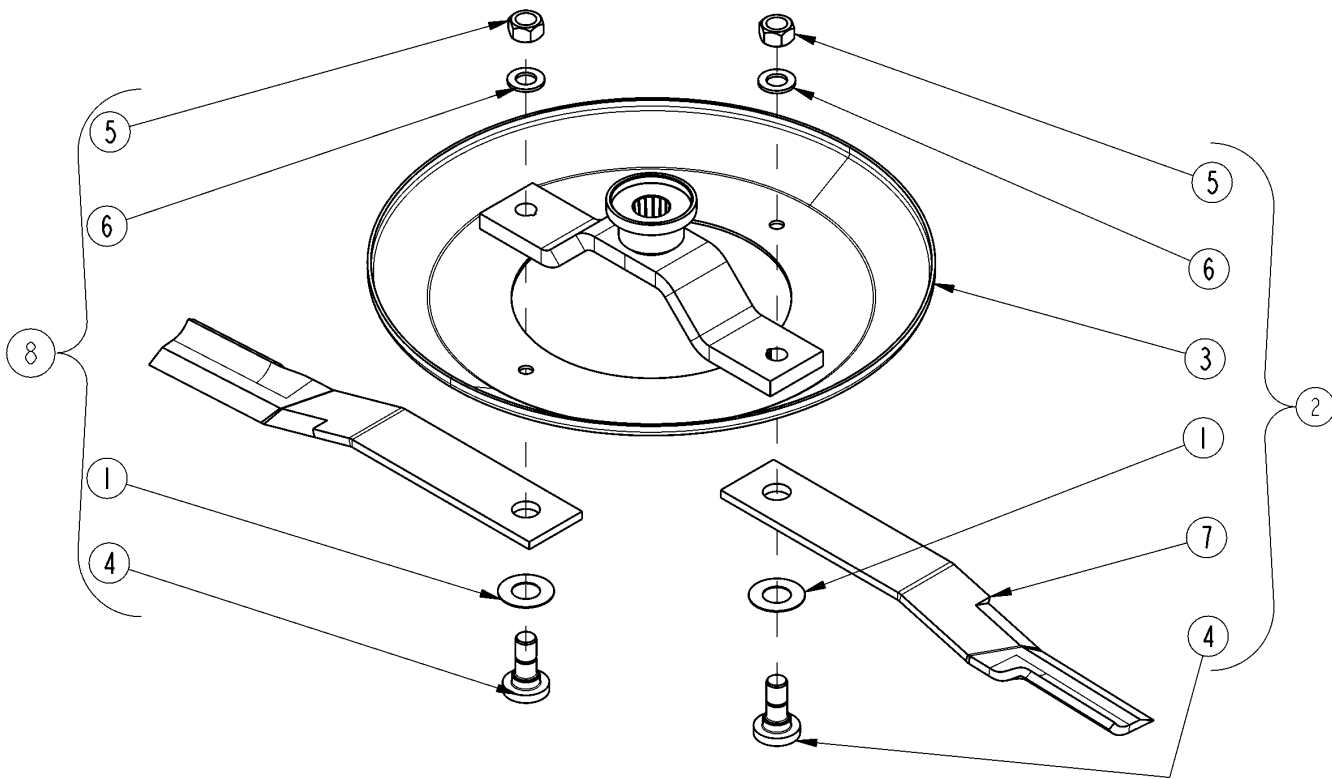
37993

**Hitch 3-Point S/N 961387+****Applies to RCF2760, RCF2772**

<b>Ref</b>	<b>Part No.</b>	<b>Part Description</b>	<b>Comments</b>	<b>Revision</b>
	dwg37993	Drawing Image Number		
1.	122-076D	PW PIVOT TUBE LONG		
2.	326-546D	BSH 1.12ODX.69IDX.55L		
3.	326-607A	TOP 3PT CAT2 TO CAT1 CONV KIT	Service Kit See Section 5	
4.	326-659D	REAR BRACE 60	RCF2760	
4.	326-626D	REAR BRACE 72	RCF2772	
5.	326-629D	BSH 1.12ODX.69IDX.41L		
6.	327-143S	DRIVELINE HOLDER W/HARDWARE		
7.	327-319D	HITCH STRAP LH		
8.	327-320D	HITCH STRAP RH		
9.	802-010C	HHCS 5/16-18X1 1/4 GR5		
10.	802-053C	HHCS 5/8-11X1 3/4 GR5		
11.	802-138C	HHCS 5/16-18X2 1/4 GR5		
12.	802-192C	HHCS 3/4-10X4 1/2 GR5		
13.	803-177C	NUT HEX FLG TP LK 5/16-18ZNYCR		
14.	803-181C	NUT HEX FLANGE LOCK 3/4-10 PLT		
15.	803-263C	NUT HEX FLANGE LOCK 5/8-11 PLT		
16.	804-019C	WASHER FLAT 5/8 USS PLT		
17.	804-036C	WASHER FLAT 5/16 SAE PLT		
18.	805-088C	PIN, HAIR COTTER 3/16 WIRE DIA		
19.	805-143C	PIN HAIR COTTER .120 PLT		
20.	805-228C	PIN CLVS .75X3.94 USBL		
21.	805-485C	PIN HTCH C1-C2 10.18 L		
22.	807-350C	SPRING TORSION DRVLN HLDER		
23.	812-500C	FLOAT TOP HITCH CAST DUCTILE		
24.	837-062C	DRIVELINE HOOK		
25.	837-063C	MOUNT DRIVELINE HOOK		

# Blade Carrier

Applies to RCF2760, RCF2772



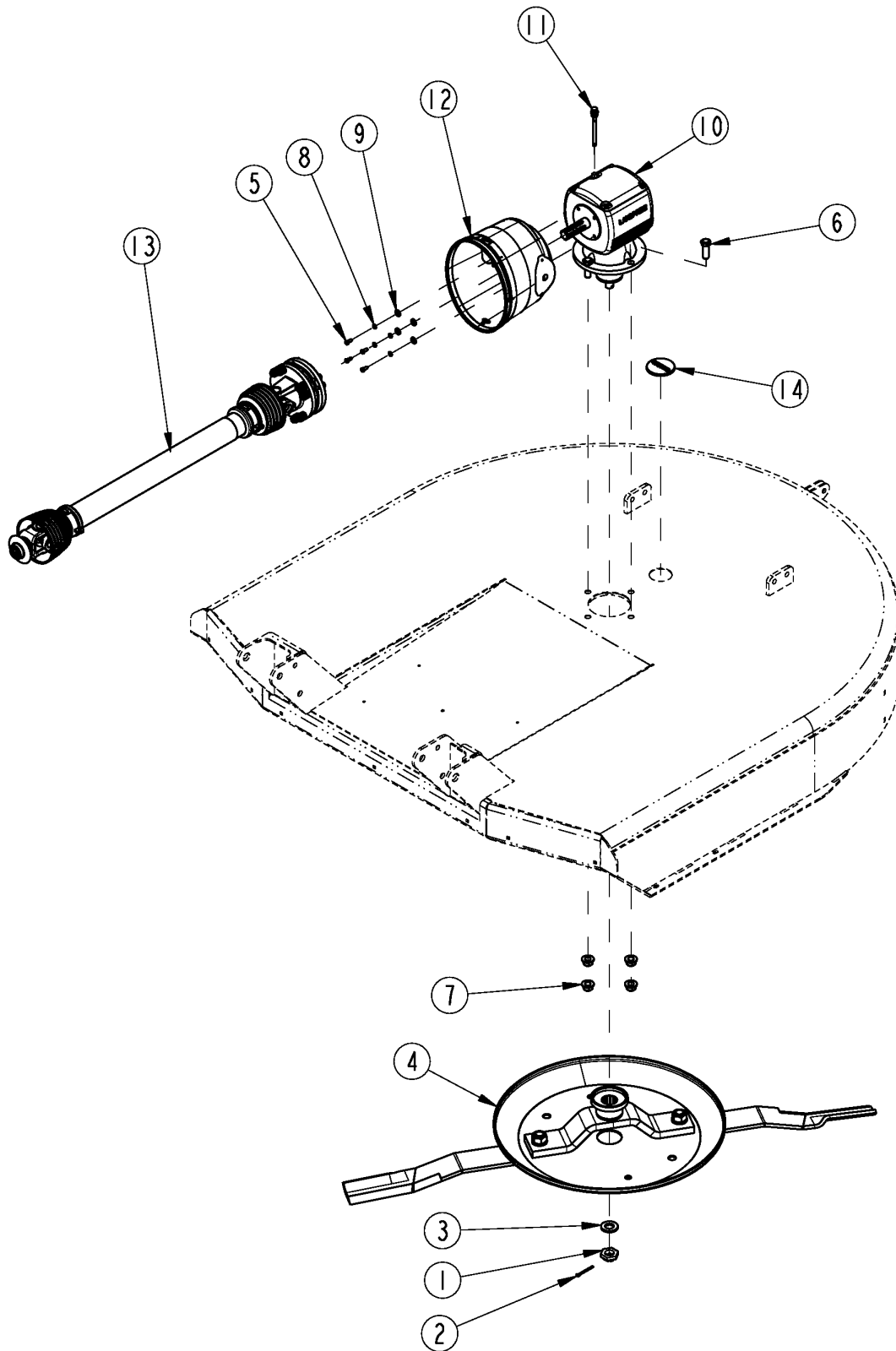
30690

**Blade Carrier****Applies to RCF2760, RCF2772**

<b>Ref</b>	<b>Part No.</b>	<b>Part Description</b>	<b>Comments</b>	<b>Revision</b>
	dwg30690	Drawing Image Number		
1.	312-075D	BLADE SPACER 16 GA. .06 Thick	As Required S/N 776426-	
1.	312-082D	BLADE SPACER 18 GA. .05 Thick	As Required S/N 776426-	
1.	312-089D	BLADE SPACER 20 GA. .04 Thick	As Required S/N 776426-	
1.	312-808D	BLADE SPACER 24 GA. .03 Thick	As Required S/N 776426-	
2.	N/A	BLADE ASSEMBLY		
3.	312-811H	19 DISHPAN WLDMT.LG.HUB(COMER)	RCF2772	
3.	312-820H	15 DISHPAN WLDMT LG.HUB(COMER)	RCF2760	
4.	802-277C	BLD BLT 1 1/8-12X3.44 W/.25KEY		
5.	803-170C	NUT HEX TOP LOCK 1 1/8-12 PLT.		
6.	804-147C	WASHER FLAT 1 HARD ASTM436 PN		
7.	820-168C	CUTTER BLADE 1/2X4X29 CCW	RCF2772	
7.	820-137C	CUTTER BLADE 1/2 X 4 X 25 CCW	RCF2760	
8.	318-586A	BLADE BOLT KIT		

# Blade Drive

Applies to RCF2760, RCF2772



30691

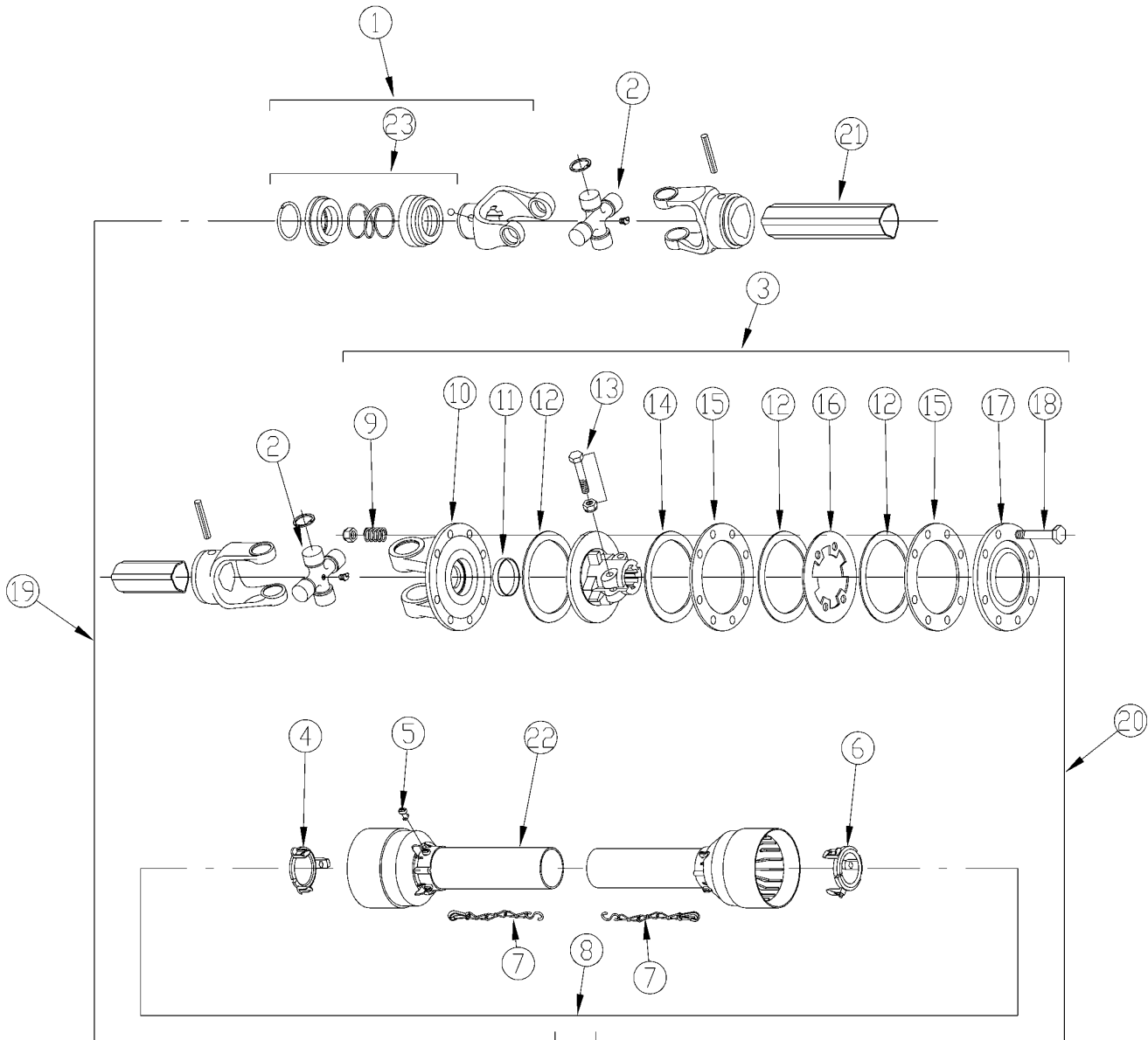


**Blade Drive****Applies to RCF2760, RCF2772**

<b>Ref</b>	<b>Part No.</b>	<b>Part Description</b>	<b>Comments</b>	<b>Revision</b>
	dwg30691	Drawing Image Number		
1.	8.2.2.00555	CO NUT, CASTLE M30 X 2		
2.	8.4.7.00146	CO COTTER PIN B6 X 60		
3.	0.139.7101.00	CO BLANK WASHER		
4.		SEE BLADE CARRIER FOR COMPONENTS		
5.	802-007C	HHCS 5/16-18X3/4 GR5		
6.	802-065C	HHCS 3/4-10X2 1/4 GR5		
7.	803-299C	NUT HEX FLG TOP LK 3/4-10 PLT		
8.	804-009C	WASHER LOCK SPRING 5/16 PLT		
9.	804-010C	WASHER FLAT 5/16 USS PLT		
10.	826-376C	GBOX RC25 1.38-6 1:1.44 STD.		
11.	826-490C	COMER U0.210.7100.00 DIPSTICK		
12.	826-648C	LARGE SHAFT CONE W ACCESS DOOR		
13.	826-673C	CAT 4 X 43.7, DRVLN SLIP CLUTC	RCF2772	
13.	826-672C	CAT 4 X 39.7, DRVLN SLIP CLUTC	RCF2760	
14.	840-273C	PLUG LP 3" ID RUBBER		

**Driveline W/ Slip Clutch (826-672C)**

Applies to RCF2760



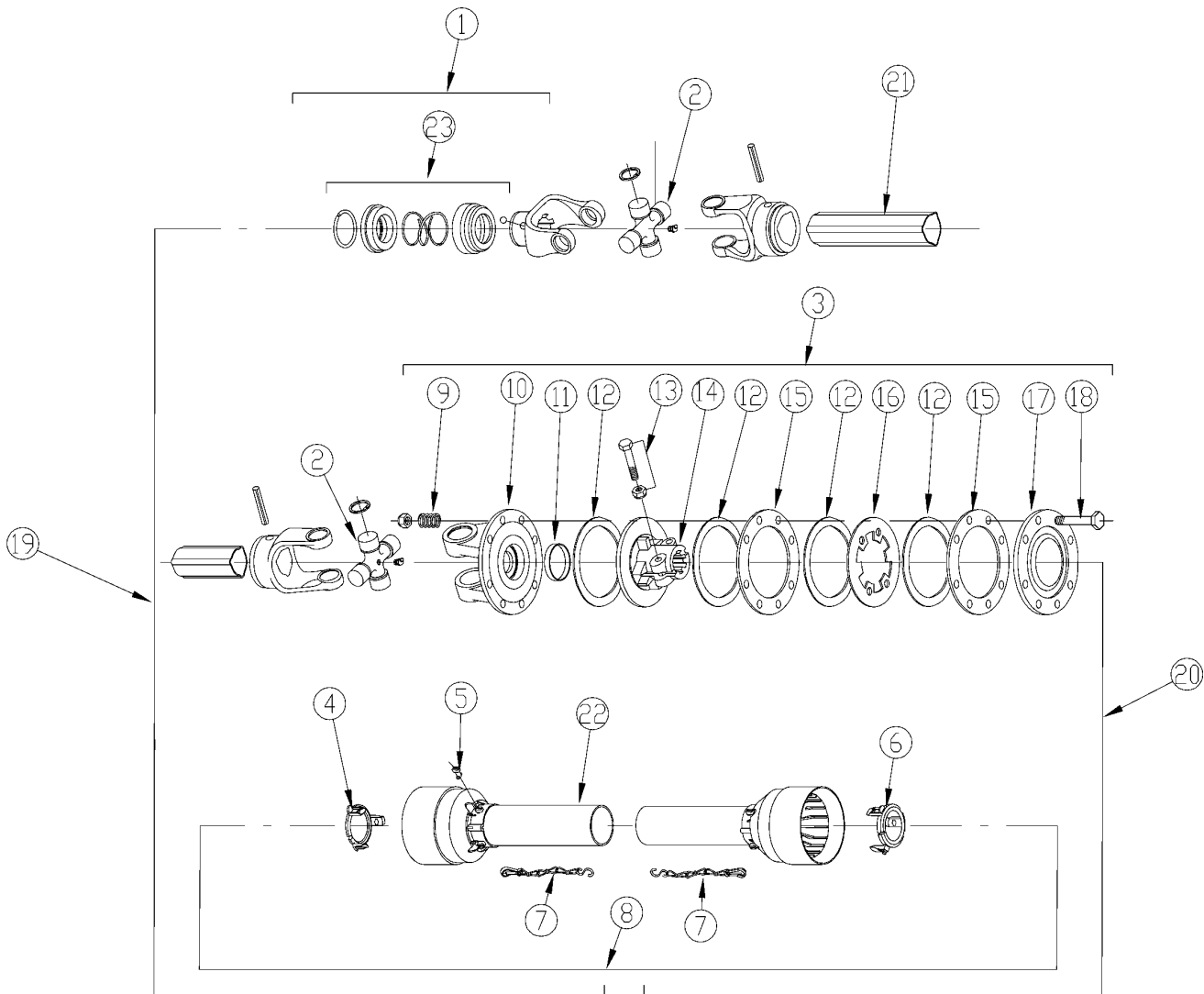
30695

**Driveline W/ Slip Clutch (826-672C)****Applies to RCF2760**

Ref	Part No.	Part Description	Comments	Revision
	dwg30695 826-672C	Drawing Image Number CAT 4 X 39.7, DRVLN SLIP CLUTC *		
1.	141.025.363.1	CO COMPLETE COLLAR YOKE C12		
2.	180.015.130	COMER CROSS JOURNAL SET		
3.	146.254.015.1	CO DISC CLUTCH F42 (11350 NM)		
4.	8180.015.288	CO GUARD RETAIN COLLAR OUT TB		
5.	8180.014.240	COMER BOLT		
6.	8180.015.289	CO GUARD RETAIN COLLAR INNR TB		
7.	044321	DRIVELINE SHIELD SAFETY CHAIN	S/N 946472-	
8.	142.250.3657521	CO COMPLETE GUARD W/TINSTRUCT		
8.	142.250.3777521	RPBY 142.250.3657521		
9.	180.014.022	COMER SPRING		
10.	151.015.038.1	CO FLANGED YOKE		
11.	180.019.019	COMER BUSH		
12.	180.019.340	COMER LINING RING		
13.	165.000.502	COMER NUT & BOLT M12X1.25X65		
14.	151.019.011.1	CO CLUTCH SUPPORT F42		
15.	180.019.014	COMER INNER PLATE		
16.	180.019.115	COMER INTERMEDIATE PLATE		
17.	180.019.116.1	COMER PRESSURE PLATE		
18.	165.000.548	COMER BOLT WITH NUT M10X100		
19.	8123.350.101.11	CO HALF FEMALE SHFT W/GUARD		
20.	8123.450.324.11	CO HALF MALE SHAFT W/GUARD		
21.	190.000.098	COMER DANGER LABEL OUTER TUBE		
22.	190.000.099	COMER DANGER LABEL GUARD OUTER		
23.	165.000.628	COMER COLLER KIT 3/8 YOKE		

**Driveline W/ Slip Clutch (826-673C)**

Applies to RCF2772



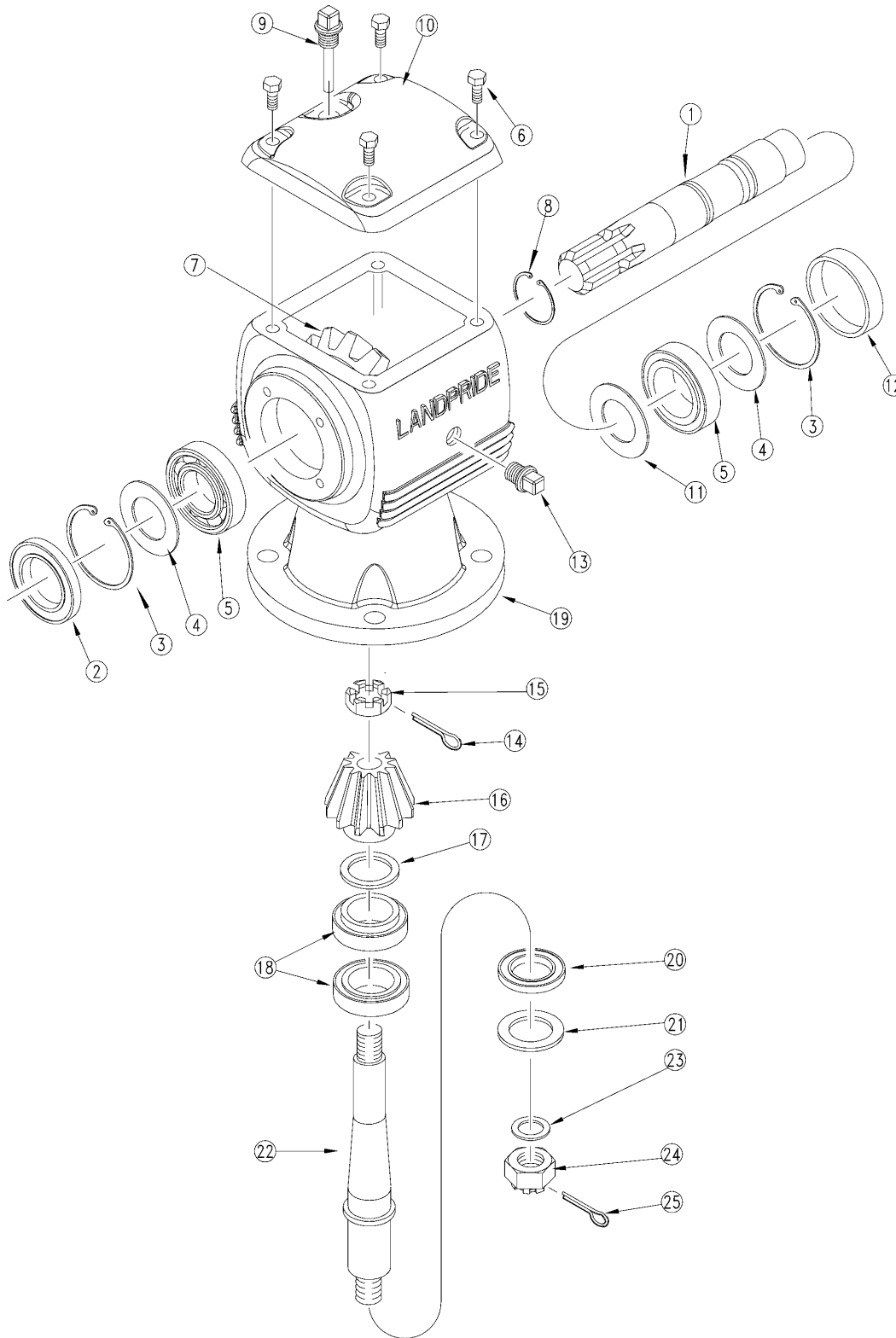
30694

**Driveline W/ Slip Clutch (826-673C)****Applies to RCF2772**

<b>Ref</b>	<b>Part No.</b>	<b>Part Description</b>	<b>Comments</b>	<b>Revision</b>
	dwg30694	Drawing Image Number		
	826-673C	CAT 4 X 43.7, DRVLN SLIP CLUTC *		
1.	141.025.363.1	CO COMPLETE COLLAR YOKE C12		
2.	180.015.130	COMER CROSS JOURNAL SET		
3.	146.254.015.1	CO DISC CLUTCH F42 (11350 NM)		
4.	8180.015.288	CO GUARD RETAIN COLLAR OUT TB		
5.	8180.014.240	COMER BOLT		
6.	8180.015.289	CO GUARD RETAIN COLLAR INNR TB		
7.	044321	DRIVELINE SHIELD SAFETY CHAIN	S/N 928934-	
8.	142.250.3657521	COMPLETE GUARD W/INSTRUC		
9.	180.014.022	COMER SPRING		
10.	151.015.038.1	CO FLANGED YOKE		
11.	180.019.019	COMER BUSH		
12.	180.019.340	COMER LINING RING		
13.	165.000.502	COMER NUT & BOLT M12X1.25X65		
14.	151.019.011.1	CO CLUTCH SUPPORT F42		
15.	180.019.014	COMER INNER PLATE		
16.	180.019.115	COMER INTERMEDIATE PLATE		
17.	180.019.116.1	COMER PRESSURE PLATE		
18.	165.000.548	COMER BOLT WITH NUT M10X100		
19.	8123.350.097.11	CO HALF FEMALE SHFT W/GUARD		
20.	8123.450.295.11	CO HALF MALE SHAFT W/GUARD		
21.	190.000.098	COMER DANGER LABEL OUTER TUBE		
22.	190.000.099	COMER DANGER LABEL GUARD OUTER		
23.	165.000.628	COMER COLLOR KIT 1-3/8 YOKE		

# Gearbox (826-376C)

Applies to RCF2760, RCF2772



21186

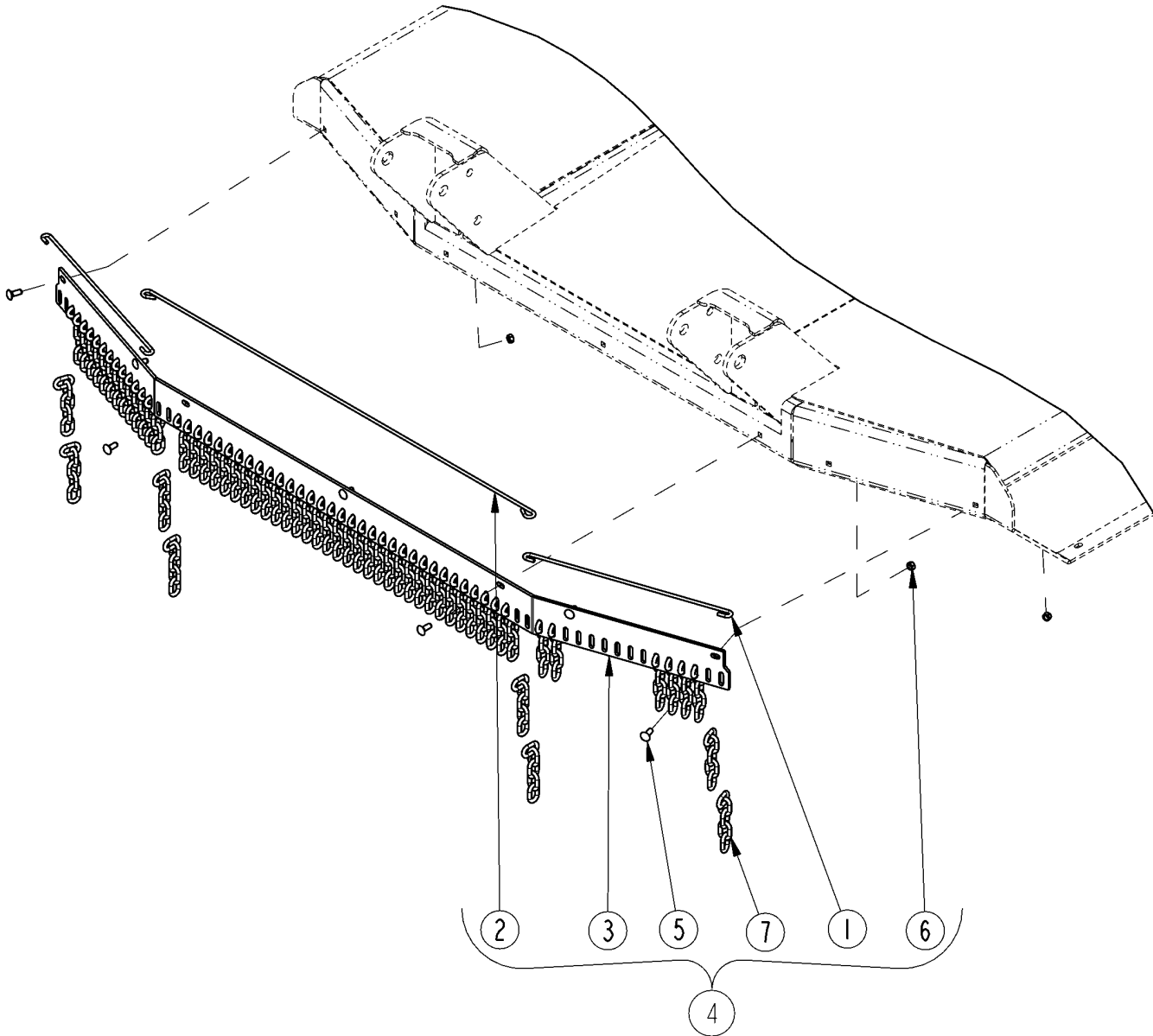
**Gearbox (826-376C)****Applies to RCF2760, RCF2772**

Ref	Part No.	Part Description	Comments	Revision
	dwg21186	Drawing Image Number		
	826-376C	GBOX RC25 1.38-6 1:1.47 STD. *		
1.	0.210.2000.00	CO INPUT SHAFT 1.38-6		
2.	8.7.3.00331	CO OIL SEAL 45 X 85 X 10		
3.	8.5.2.00332	CO SNAP RING UNI 7437		
4.	0.709.7500.00	CO SHIM 84.7		
5.	8.0.9.00143	CO BEARING 30209 RTA25		
6.	8.1.1.00501	CO BOLT M8X22 HHB		
7.	0.210.6001.00	CO GEAR CROWN Z23 M6		
8.	8.5.1.00533	CO SNAP RING 50 UNI7435		
9.	826-490C	COMER U0.210.7100.00 DIPSTICK		
10.	0.210.1300.00	CO COVER		
11.	0.252.7525.00	CO SHIM 45.3X2.5		
12.	0.121.7101.00	CO CAP		
13.	8.6.6.00201	CO PLUG 3/8 GAS		
14.	8.4.7.02265	CO COTTER PIN B 5X60		
15.	0.132.7106.00	CO NUT M30 X 1.5		
16.	0.210.5001.00	CO PINION Z16 M6		
17.	0.712.7500.00	CO SHIM 50.3X70.3		
18.	04-011	ITG BEARING ASSEMBLY		
19.	0.210.0300.00	CO CASTING & MACHINE		
20.	8.7.1.01107	CO SEAL (50x90x10)		
21.	0.139.7100.00	CO SEAL RETAINER		
22.	0.210.3001.00	CO OUTPUT SHAFT		
23.	0.139.7101.00	CO BLANK WASHER		
24.	8.2.2.00555	CO NUT, CASTLE M30 X 2		
25.	8.4.7.00146	CO COTTER PIN B6 X 60 *		

Notes: Oil Type 80-90W Capacity 6.5 Pints

# Guard Chain Front

Applies to RCF2760, RCF2772



30687



**Guard Chain Front**

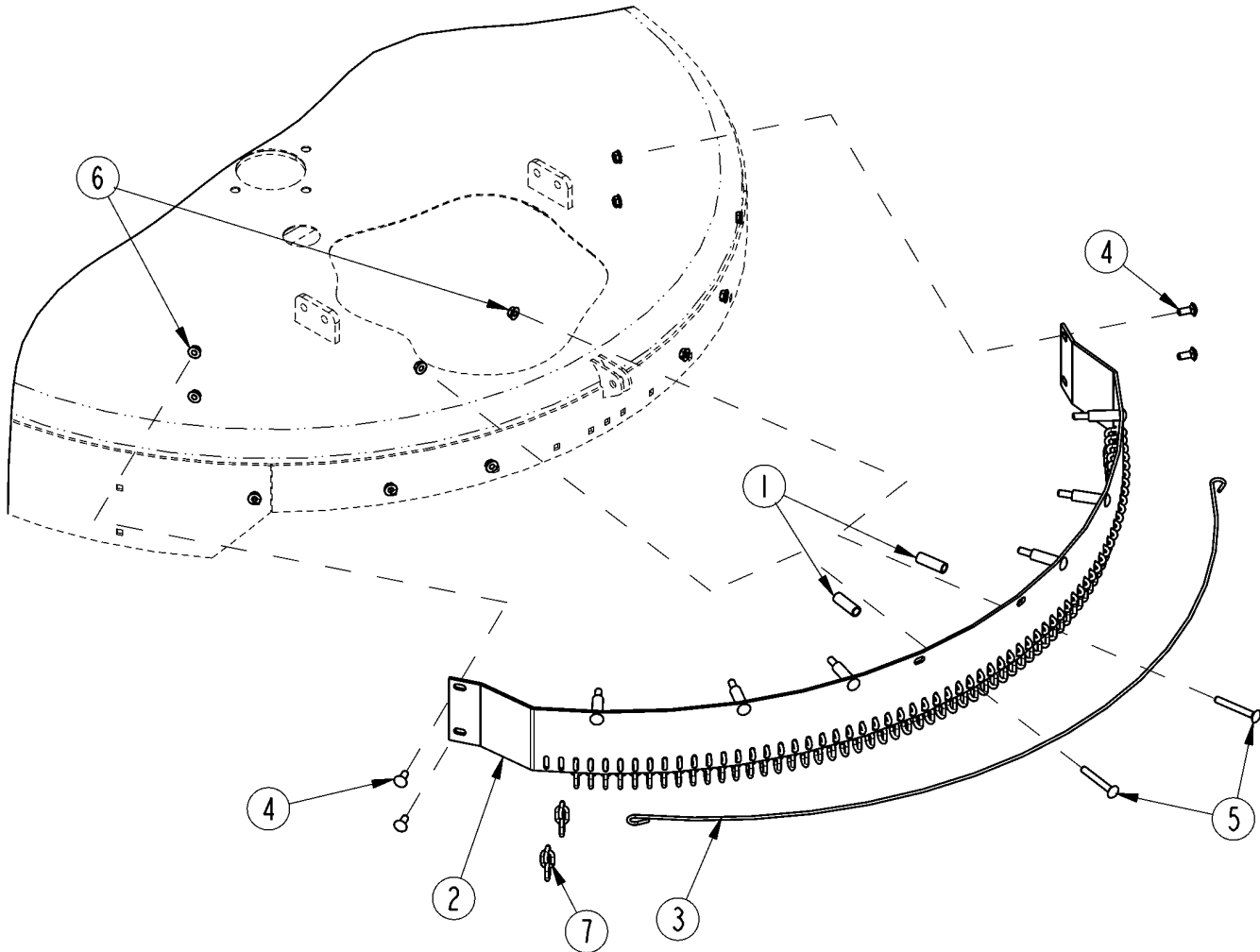
---

**Applies to RCF2760, RCF2772**

<b>Ref</b>	<b>Part No.</b>	<b>Part Description</b>	<b>Comments</b>	<b>Revision</b>
	dwg30687	Drawing Image Number		
1.	318-142D	ROUND ROD 1/4 X 21		
1.	326-152D	ROUND ROD .25 X 14		
2.	326-153D	ROUND ROD .25 X 46		
3.	326-162D	FRONT CHAINGUARD BRACKET	RCF2772	
3.	326-132D	FRT. CHAINGUARD BRACKET	RCF2760	
4.	326-306A	RCF2772 FRONT CHAIN GD. COMPT.	RCF2772	
4.	326-302A	RCF2760 FRONT CHAIN GD. COMPT.	RCF2760	
5.	802-015C	RHSNB 3/8-16X1 GR5		
6.	803-013C	NUT LOCK 3/8-16 PLT		
7.	890-341C	CHAIN WELD 5/16 PROOF X 5 LINK		

# Guard Chain Rear

Applies to RCF2760, RCF2772



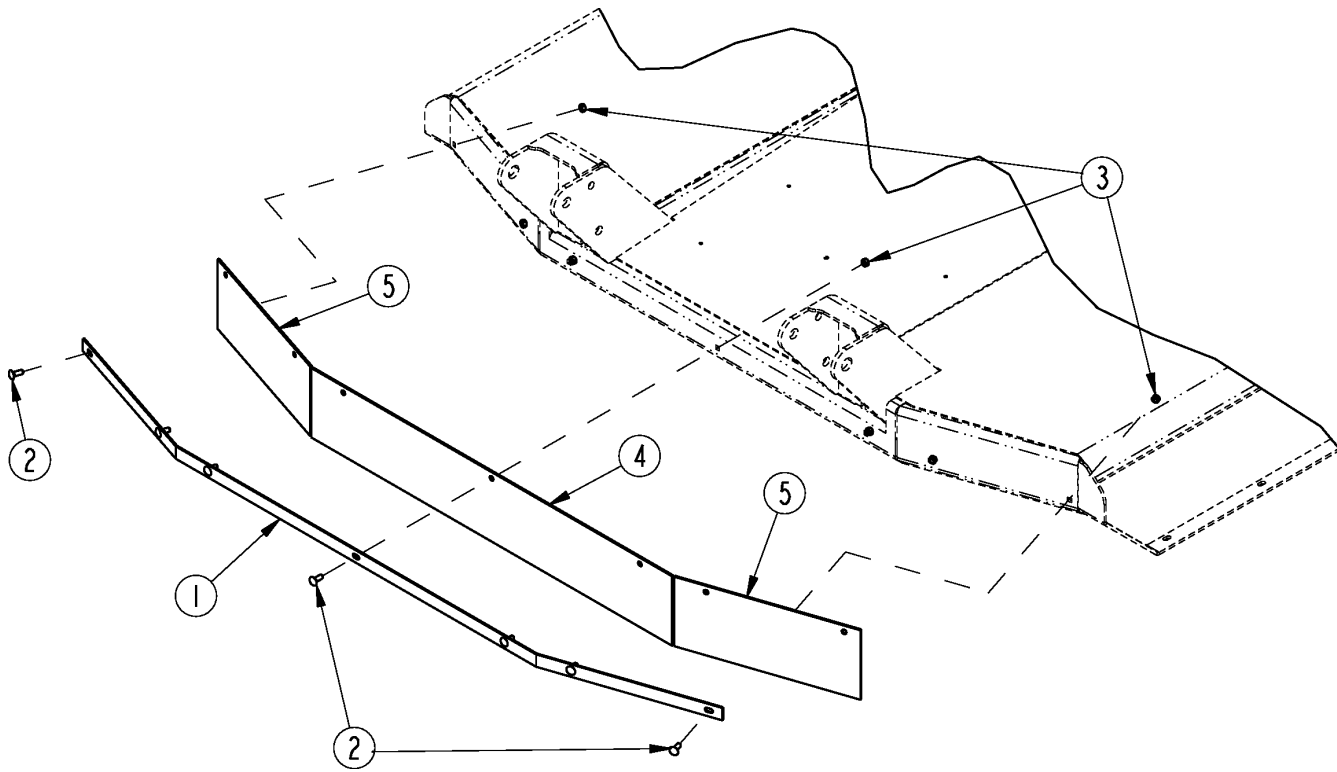
30688

**Guard Chain Rear****Applies to RCF2760, RCF2772**

<b>Ref</b>	<b>Part No.</b>	<b>Part Description</b>	<b>Comments</b>	<b>Revision</b>
	dwg30688	Drawing Image Number		
	326-242A	REAR CHAINGUARD ASY RCF2772		
	326-281A	REAR CHAINGUARD ASY RCF2760		
		*		
1.	312-948D	DEFLECTOR SPACER		
2.	326-624D	REAR CHAIN GUARD BRACKET 72"	RCF2772	
2.	326-660D	REAR CHAIN GUARD BRACKET 60"	RCF2760	
3.	326-625D	CHAIN ROD 1/4 X 81	RCF2772	
3.	326-661D	CHAIN ROD 1/4 X 71 1/4	RCF2760	
4.	802-214C	RHSNB 1/2-13X1 1/4 GR5		
5.	802-707C	RHSNB 1/2-13X4 GR5 PLT		
6.	803-037C	NUT HEX WHIZ 1/2-13 PLT		
7.	890-485C	CHAIN WELD 5/16 PROOF X 3 LINK		

# Guard Rubber Front

Applies to RCF2760, RCF2772



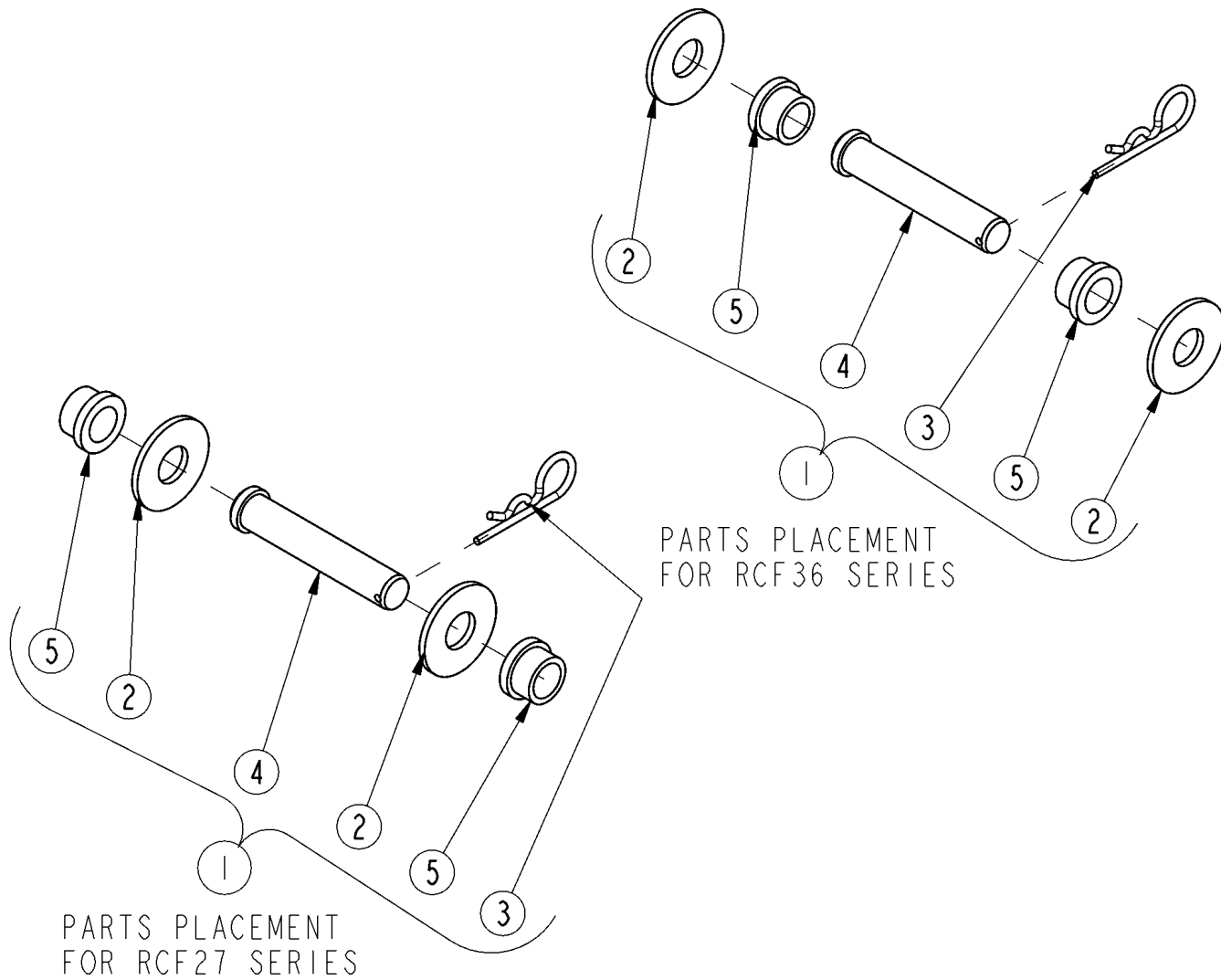
30689

**Guard Rubber Front****Applies to RCF2760, RCF2772**

<b>Ref</b>	<b>Part No.</b>	<b>Part Description</b>	<b>Comments</b>	<b>Revision</b>
	dwg30689	Drawing Image Number		
	326-307A	RCF2772 FRONT RUBBER GD. COMPT		
	326-303A	RCF2760 FRONT RUBBER GD. COMPT		
		*		
1.	326-135D	FRONT DEFLECTOR STRAP	RCF2772	
1.	326-134D	FRONT DEFLECTOR STRAP	RCF2760	
2.	802-015C	RHSNB 3/8-16X1 GR5		
3.	803-013C	NUT LOCK 3/8-16 PLT		
4.	816-402C	RUBBER DEFLECTOR FRT. CTR.	RCF2772 & RCF2760	
5.	816-412C	RUBBER DEFLECTOR FRT. OUT.	RCF2772	
5.	816-403C	RUBBER DEFLECTOR FRT. OUT.	RCF2760	

# Top 3PT Cat 2 to Cat 1 Pin Kit

Applies to RCF2760, RCF2772



**Top 3PT Cat 2 to Cat 1 Pin Kit**

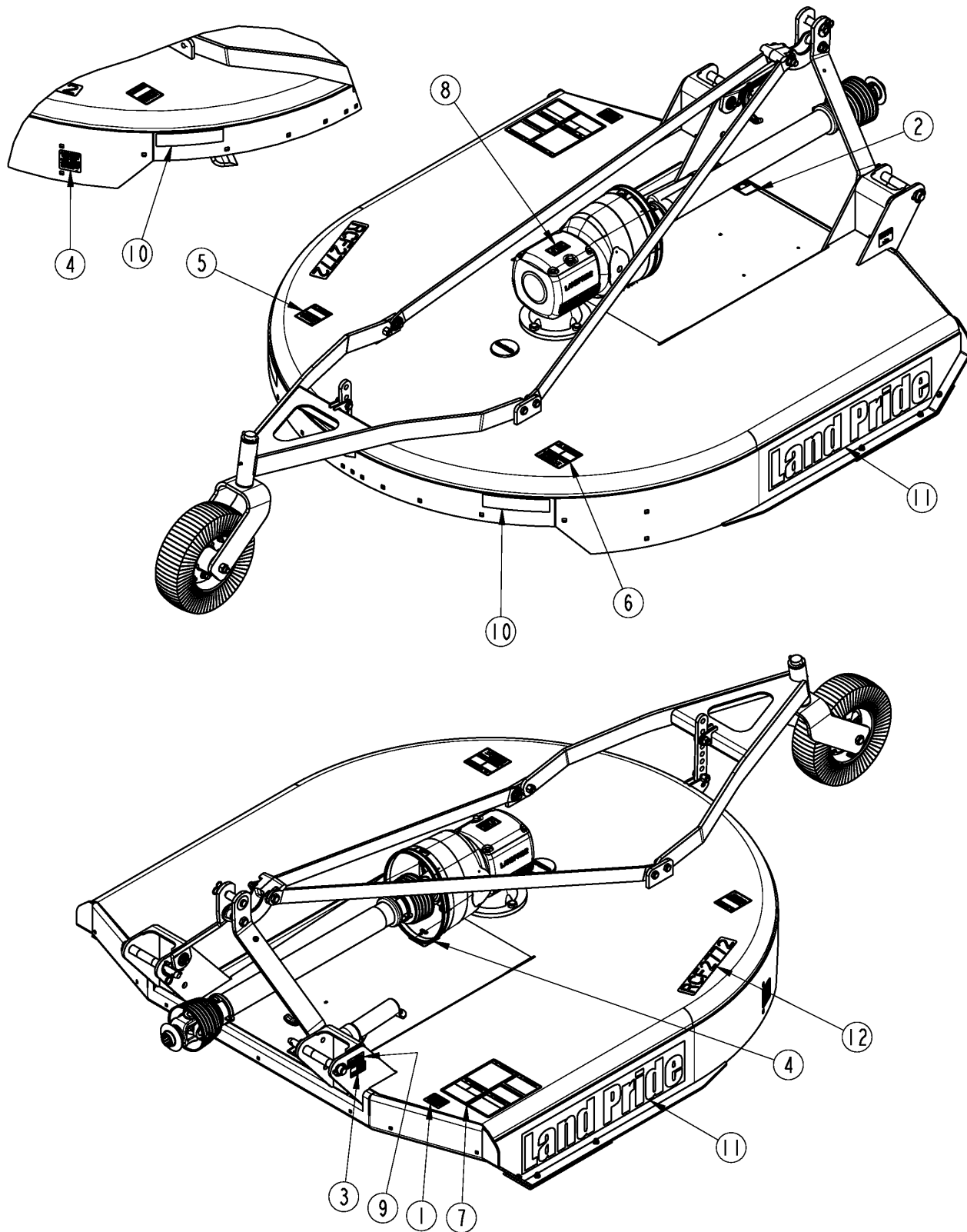
---

**Applies to RCF2760, RCF2772**

<b>Ref</b>	<b>Part No.</b>	<b>Part Description</b>	<b>Comments</b>	<b>Revision</b>
	dwg33922	Drawing Image Number		
1.	326-607A	TOP 3PT CAT2 TO CAT1 CONV KIT		
2.	804-024C	WASHER FLAT 3/4 USS PLT		
3.	805-032C	PIN HAIR COTTER .148 WIRE		
4.	805-228C	PIN CLVS .75X3.94 USBL		
5.	827-071C	BUSHING STEP 1.25ODX.765IDX.70		

# Label Placement

Applies to RCF2760, RCF2772



30692



**Label Placement****Applies to RCF2760, RCF2772**

<b>Ref</b>	<b>Part No.</b>	<b>Part Description</b>	<b>Comments</b>	<b>Revision</b>
	dwg30692	Drawing Image Number		
1.	818-130C	DECAL CAUTION 540 RPM		
2.	818-142C	DECAL DANGER PTO DRIVELINE EN		
3.	818-190C	DECAL FLAG		
4.	818-543C	DECAL DANGER PD GUARD MISS SML		
5.	818-556C	DECAL DANGER THROWN OBJ CUTTER		
6.	818-564C	DECAL DANGER ROTATING BLADES		
7.	818-830C	DECAL SAFETY COMBO SUNWEST		
8.	818-862C	DECAL 5 YEAR GEARBOX WARRANTY		
9.	838-517C	DECAL QUICK HITCH SYSTEM		
10.	838-614C	DECAL REFLECTOR RED 2X9		
11.	838-959C	DECAL LANDPRIDE 30" GREEN	Beige Unit S/N 693228+ on RCF2760	
11.	818-903C	DECAL LANDPRIDE 19" - BROWN	Beige Unit S/N 693227- on RCF2760	
11.	848-122C	DECAL LANDPRIDE 34" TAN/BROWN	Green, Orange & Red Unit S/N 693228+ on RCF2760	
11.	838-965C	DECAL LANDPRIDE 16" BROWN/GOLD	Green, Orange & Red Unit S/N 693227- on RCF2760	
12.	848-532C	DECAL RCF2772-BROWN	Beige Unit	
12.	848-533C	DECAL RCF2772-GOLD	Green, Orange & Red Unit	
12.	848-572C	DECAL RCF2760-BROWN	Beige Unit	
12.	848-573C	DECAL RCF2760-GOLD	Green, Orange & Red Unit	



# Part Number Index

The Part Number Index is a numeric index of all part numbers included in this manual. The index shows what page(s) the part is used on.

Part Number	Page	Part Number	Page	Part Number	Page	Part Number	Page
0.121.7101.00	23	326-614D	9	805-103C	11	dwg30694	21
0.132.7106.00	23	326-624D	27	805-109C	11	dwg30695	19
0.139.7100.00	23	326-625D	27	805-124C	11	dwg30696	11
0.139.7101.00	17, 23	326-626D	11, 13	805-143C	11, 13	dwg33922	31
0.210.0300.00	23	326-629D	11, 13	805-227C	11	dwg37993	13
0.210.1300.00	23	326-659D	11, 13	805-228C	11, 13, 31	N/A	9, 15
0.210.2000.00	23	326-660D	27	805-255C	9		
0.210.3001.00	23	326-661D	27	805-485C	11, 13		
0.210.5001.00	23	326-822D	11	807-350C	13		
0.210.6001.00	23	326-873D	11	812-500C	13		
0.252.7525.00	23	326-874D	11	8123.350.097.11	21		
0.709.7500.00	23	327-143S	13	8123.350.101.11	19		
0.712.7500.00	23	327-319D	11, 13	8123.450.295.11	21		
04-011	23	327-320D	11, 13	8123.450.324.11	19		
044321	19, 21	8.0.9.00143	23	814-058C	9		
122-076D	11, 13	8.1.1.00501	23	814-161C	9		
141.025.363.1	19, 21	8.2.2.00555	17, 23	815-092C	9		
142.250.3657521	19, 21	8.4.7.00146	17, 23	815-230C	9		
142.250.3777521	19	8.4.7.02265	23	816-286C	9		
146.254.015.1	19, 21	8.5.1.00533	23	816-402C	29		
151.015.038.1	19, 21	8.5.2.00332	23	816-403C	29		
151.019.011.1	19, 21	8.6.6.00201	23	816-412C	29		
165.000.502	19, 21	8.7.1.01107	23	816-504C	7		
165.000.548	19, 21	8.7.3.00331	23	818-130C	33		
165.000.628	19, 21	800-001C	9	818-142C	33		
180.014.022	19, 21	800-080C	9	818-190C	33		
180.015.130	19, 21	802-007C	17	818-543C	33		
180.019.014	19, 21	802-010C	13	818-556C	33		
180.019.019	19, 21	802-015C	25, 29	818-564C	33		
180.019.115	19, 21	802-053C	11, 13	818-830C	33		
180.019.116.1	19, 21	802-055C	9	818-862C	33		
180.019.340	19, 21	802-065C	17	818-903C	33		
190.000.098	19, 21	802-135C	9	8180.014.240	19, 21		
190.000.099	19, 21	802-138C	13	8180.015.288	19, 21		
312-075D	15	802-192C	11, 13	8180.015.289	19, 21		
312-082D	15	802-214C	27	820-137C	15		
312-089D	15	802-224C	7	820-168C	15		
312-602D	7	802-277C	15	822-091C	9		
312-808D	15	802-280C	9	822-092C	9		
312-811H	15	802-326C	9	826-376C	17, 23		
312-820H	15	802-603C	7	826-490C	17, 23		
312-948D	27	802-707C	27	826-648C	17		
318-142D	25	803-013C	25, 29	826-672C	17, 19		
318-586A	15	803-021C	9	826-673C	17, 21		
326-132D	25	803-026C	9	827-036C	9		
326-134D	29	803-037C	27	827-071C	31		
326-135D	29	803-148C	9	837-062C	13		
326-152D	25	803-170C	15	837-063C	13		
326-153D	25	803-177C	13	838-517C	33		
326-162D	25	803-181C	11, 13	838-614C	33		
326-237H	7	803-198C	7	838-959C	33		
326-237H81	7	803-255C	7	838-965C	33		
326-237H82	7	803-263C	11, 13	840-273C	17		
326-237H83	7	803-289C	9	848-122C	33		
326-242A	27	803-299C	17	848-532C	33		
326-273H	7	803-308C	9	848-533C	33		
326-273H81	7	804-007C	7	848-572C	33		
326-273H82	7	804-009C	17	848-573C	33		
326-273H83	7	804-010C	17	890-341C	25		
326-281A	27	804-015C	9	890-485C	27		
326-294H	9	804-016C	9	890-961C	9		
326-302A	25	804-019C	11, 13	dwg21186	23		
326-303A	29	804-022C	9	dwg30686	7		
326-306A	25	804-024C	11, 31	dwg30687	25		
326-307A	29	804-036C	13	dwg30688	27		
326-329D	11	804-066C	9	dwg30689	29		
326-546D	11, 13	804-147C	15	dwg30690	15		
326-572D	11	804-156C	11	dwg30691	17		
326-573D	11	805-032C	31	dwg30692	33		
326-607A	11, 13, 31	805-088C	11, 13	dwg30693	9		

***This Page Intentionally Left Blank***



Great Plains Manufacturing, Inc.

Corporate Office: P.O. Box 5060  
Salina, Kansas 67402-5060 USA

[www.landpride.com](http://www.landpride.com)

---